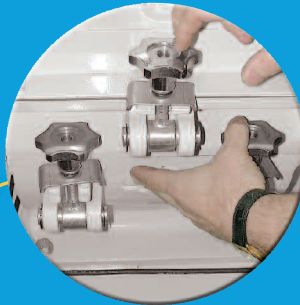


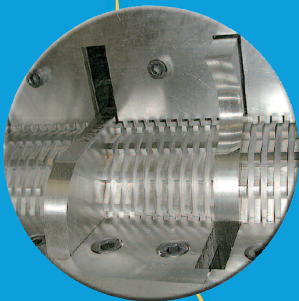
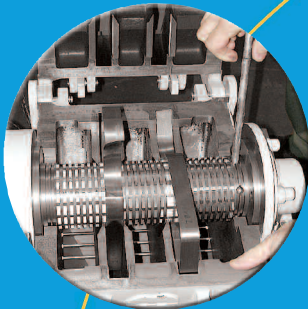
S Series Screenless Granulators

EASY TO CLEAN.

The S Series opens wide to expose grinding chamber and blades. Stainless steel parts clean up fast and reduce maintenance costs



NO TOOLS ACCESS.
For easy cleaning



SMART DESIGN.

Combining low-speed, energy saving, granulating technology with primary and secondary blades. The S Series grinds to a consistent size, every time



Reliable, Economical and Performance-Driven

For high quality regrind in sprue and runner reclaim applications, Cumberland's S Series is the answer. The S Series granulators eliminate lumps and minimize dust and fines to provide consistent performance wherever clean regrind is needed. Hardened 8620 alloy steel gives

blades durability and long life, while cutters and double-sided bed combs provide four cutting edges. Compact footprint allows compatibility with existing equipment and reduces space necessary for most regrind applications.

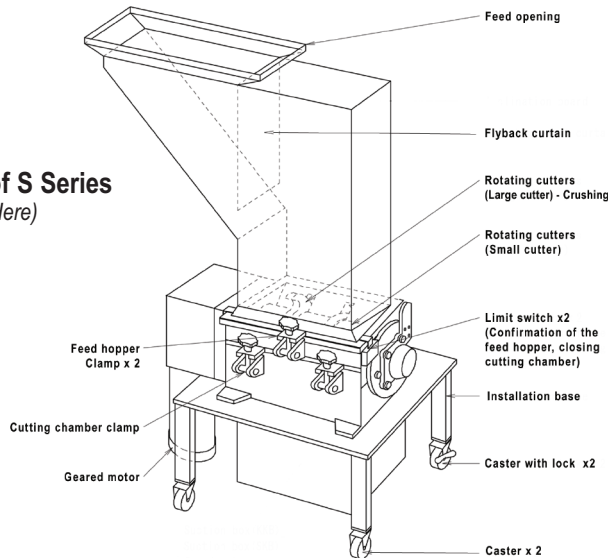
S Series Screenless Granulators

Standard Features

- Screenless operation produces clean, no longs regrind
- Smallest footprint squeezes into the tightest of spaces
- Quick and easy, no tools access - just open the doors
- Vacuum bin with 1" or 2" diameter take-offs available
- Solid dowel and bolted construction
- Locking swivel casters mounted on base
- TEFC 230/3/60 or 460/3/60 gear motor
- 115/1/60 control voltage wired with electrical/mechanical safety interlock

Model	S-100	S-200	S-300
Chamber Size (In.)	10" x 10.5"	11.5" x 13.5"	16" x 16"
Cutter Size, mm (in.)	5mm (.18")		
Feed Height, inches	52"	60"	63"
Throughput, lbs./hr	30 lbs./hr	40 lbs./hr	50 lbs./hr
Working Envelope (LXW)	29" x 18"	32.5" x 23"	23" x 49"
Weight (lbs.)	396 lbs	606 lbs	992 lbs

Main Body of S Series (S-200 Shown Here)



CORPORATE HEADQUARTERS

2900 S. 160th Street
New Berlin, WI 53151
TEL: (262) 641-8600
FAX: (262) 641-8653
www.cumberland-plastics.com

REGIONAL SERVICE CENTERS (800) 229-2919

ACS Tech Center
4100 Market Place
Flint, MI 48507
TEL: (810) 720-7300
FAX: (810) 720-2598

ALL DATA SUBJECT TO CHANGE WITHOUT NOTICE

©2010 Cumberland Engineering

Bulletin CG3-126.2