



# Technical Specification



## B Series Central Granulators

Tel (262) 641-8600 • Fax (262) 641-8653 • www.cumberland-plastics.com • Bulletin: CG6-530.1 • Effective: June 14, 2010 • Supersedes: CG6-530

### B Series Central Granulators

#### Application:

The B Series Granulators are heavy-duty, high capacity granulators for central reclamation. B Series granulators are ideal for pipe, purgings, x-ray film, post-consumer baled bottles, film, and fibers. B Series Granulators feature High Shear Rotors,

#### Features:

Model	Throat Size	Cutting Circle Diameter	Throughput	Approximate Weight
24B	15" x 24" (381 x 610 mm)	14" (356 mm)	1000 lbs./hr. (454 kg)	6000 lbs. (2722 kg)
28B	18" x 28" (457 x 711 mm)	16" (406 mm)	1800 lbs./hr. (816 kg)	7000 lbs. (3175 kg)
37B	18" x 37" (457 x 940 mm)	16" (406 mm)	2500 lbs./hr. (1136 kg)	11,000 lbs. (5000 kg)
50B	20" x 50" (510 x 1270 mm)	18" (457 mm)	3500 lbs./hr. (1591 kg)	15,000 lbs. (6818 kg)
62B	20" x 62" (510 x 1575 mm)	18" (457 mm)	4500 lbs./hr. (2045 kg)	22,000 lbs. (10000 kg)
72B	20" x 72" (510 x 1830 mm)	18" (457 mm)	5000 lbs./hr. (2272 kg)	26,000 lbs. (11818 kg)

#### Benefits:

- Heavy-duty construction allows granulator to handle heavier loads.
- Internal surfaces machined for ease of clean-out and material flow.
- Optimum cutting efficiency, with low power consumption.
- The rotor knives are bolted to the rotor with high-strength alloy steel bolts.
- Outboard mounted, heavy-duty, spherical roller bearings prevent bearing contamination.
- Heavy duty overall construction: main frame, rotor, downstroke shield, steel plate bedknife blocks & belts. Larger, spherical roller bearings and heavy-duty flywheel sheave.
- End removable screen.

#### B Series Specifications:

	Standard	Standard Options
Infeed	Conveyor feed	Tray and sheet feed, Tray and feed rolls, Pipe feed
Cutting Chamber	2-bed knife	Hard facing, water cooling, air purge bearings
Rotor	Open 3-knife high-shear	5-knife high-shear, 3-knife steep angle, 5-knife S/A, 7-knife S/A (62B and 72B only)
Rotor Knives	(3) HCHC	(5) HCHC, Steep angle, 55°
Bed Knives	(2) HCHC	Raised D/S
Screen	3/8" N.H.T.	1/4" and larger, H.T.
Drive Parts	V-belt	
Electrical Components	NEMA 12 with safety interlocks	
Controls	Customer supplied	230, 460, or 575 volt, NEMA 12
Labels	Safety/caution/operation labels	
Accessories		Blower, Cyclone, Separator, Conveyor

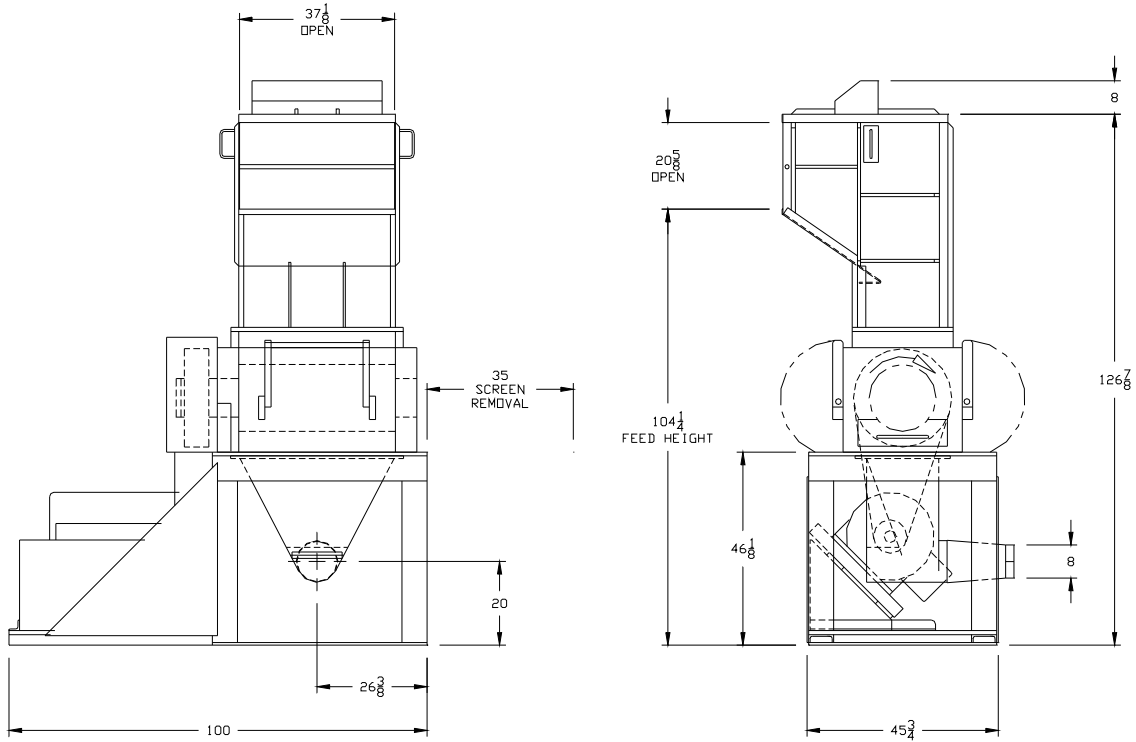
Model	Base		Discharge		Motor	
	Standard	Std. Option	Standard	Std. Option	Standard	Std. Option
37B	37" Step	22" Low Airveyor	8" Airveyor Chute	Gaylord, 8-12" Airveyor	100HP	100-150HP
50B	37" Step	22" Low Airveyor	10" Airveyor Chute	Gaylord, 8-12" Airveyor	150HP	100-200HP
62B	37" Step	31" Low Airveyor	12" Airveyor Chute	Gaylord, 10-14" Airveyor	200HP	100-250HP
72B	37" Step	31" Low Airveyor	12" Airveyor Chute	Gaylord, 10-14" Airveyor	200HP	100-250HP

— See Page 2 For B Series Drawings —

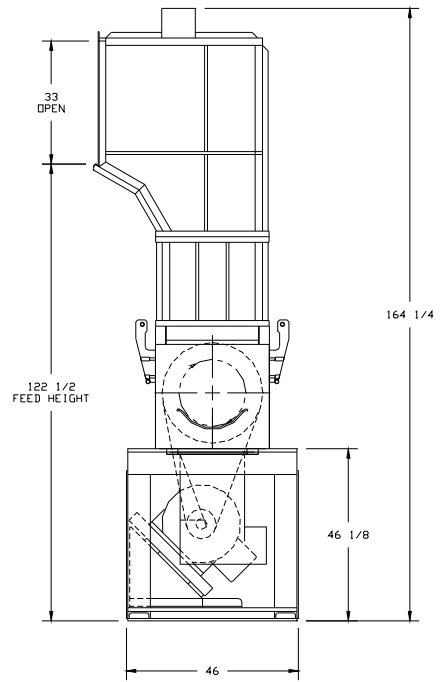
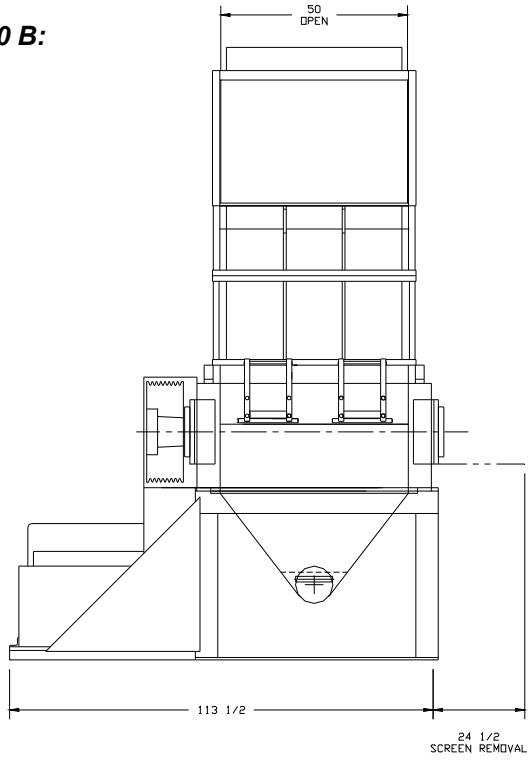


# Cumberland B Series Central Granulators

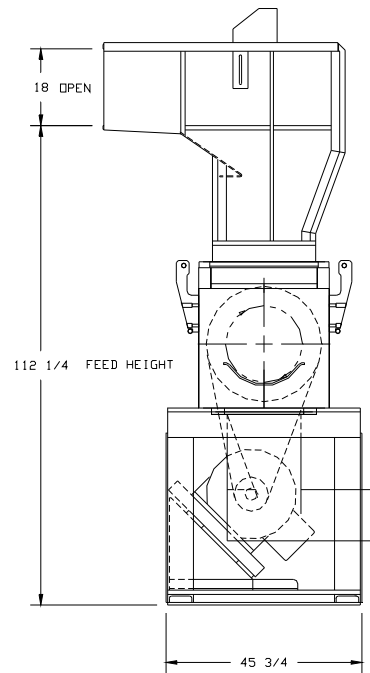
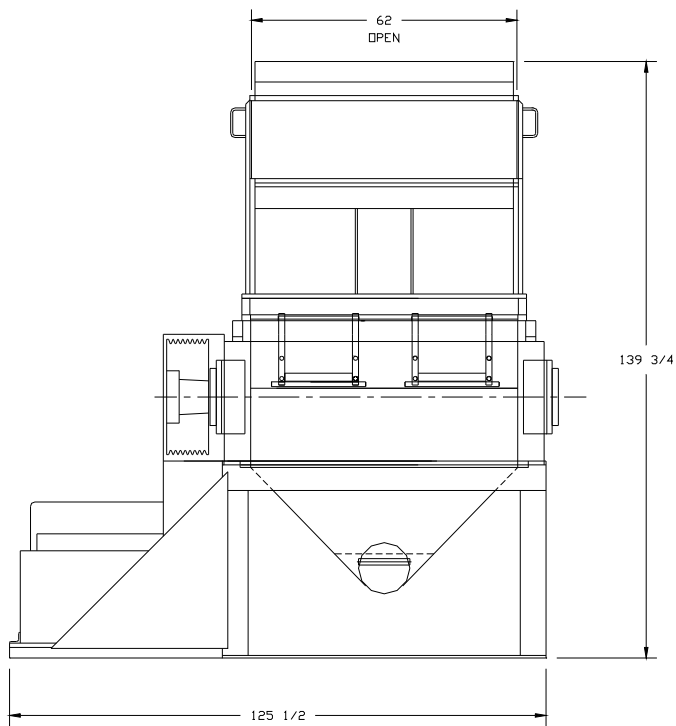
37 B:



**50 B:**



**62B:**



72B:

