

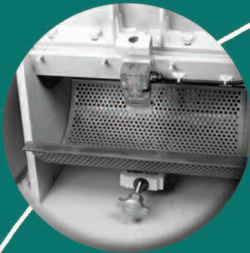


30 Series General Purpose Granulators

Swing down clamp with hand knob provides quick and easy machine access.



The 3-knife open slant-cut rotor with scooped wings provides for both positive feeding of bulky parts and improved airflow for cooler operation. Rotating end disc reduces heat and abrasion.



Ease of cleaning enables quick turnover cycles between color changes. New bed knife positions offer the easiest access in the industry.



Simplified pivoting infeed hopper is double-walled for quiet operation. Safety interlocks ensure safe operation.



30 Series Granulators Offer a Wide Range of Capabilities

The Cumberland 30 Series granulators offer a wide range of capabilities to handle the most demanding injection molding, blow molding and extrusion requirements. With a throughput capacity from 225 to 360 kg./hr and a wide range of sizes, there is a Cumberland granulator ideal for your specific needs.

All three models provide excellent quality regrind and quiet operation. The 3-knife open slant-cut rotor with scooped wings provides both positive feeding of bulky parts, and improved airflow for cooler operation. The 30 Series also feature a rotating end disc to reduce heat and abrasion.

30 Series General Purpose Granulators

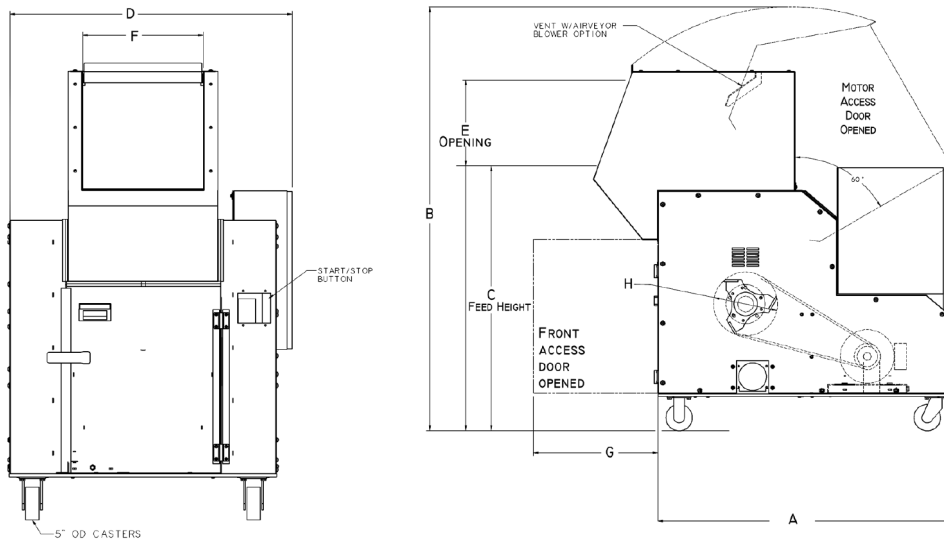
Standard Features

- TEFC motor and solid flywheel drive
- Airveyor discharge
- Hopper: hand, robot, or conveyor operation. Sound attenuated. Multi-feed.
- Cutting chamber: Offset design, 2 bed knives. Machined, bolted and doweled. Fully sound attenuated to approx. 85 dBA
- Three knife rotor: open slant cut with scooped wings. Rotating end disc.
- Quick-release hand knob access
- Rotor and bed knives: HCHC/D2 OEM manufactured proprietary process
- Removable pivoting drop-down screen and screen cradle: 8mm standard, 5mm, 6mm, 10mm and other sizes available
- Controls: IP55 24/400V

Specifications

Standard Features	INFEED	ROTOR	BASE	BASE	DISCHARGE			MOTOR/CONTROLS	DRIVE PARTS	THROUGHPUT*	WEIGHT
	Tray Feed Removable Flap Assembly Double-Walled SP	3-Knife Open Slant Cut	Portable Caster Mount	Stationary Vibration Pad	Metal Bin	Airveyor 4" 5" 6"	Vacuum or Gaylord	TEFC 230/460V Start/Stop P/B Controls	Solid High-Inertia Flywheel V-belt Drive	LBS/HR 5/16" Screen 3-Knife Rotor (approximate)	KGS (approximate)
3030	Tray & Sheet	STD	STD	Optional	Optional	STD	Optional	5.5-7.5 kW	STD	225	800
3045	Tray & Pipe							5.5-15 kW		315	1100
3060	Tray & Feed Rolls							11-15 kW		360	1230

Model	A	B	C	D	E	F	G	H
3030	1422	2040	1276	934	432	311	448	305
3045				1086		470	597	
3060				1239		616	381 (2 doors)	



CUMBERLAND CORPORATE HEADQUARTERS

CHINA
109 Xinpu Road SIP
Suzhou, China 215126
TEL: +(86) 512 8717 1919
FAX: +(86) 512 8717 1916

UNITED STATES
2900 S. 160th Street
New Berlin, WI 53151
TEL: +1(262) 641-8600
FAX: +1(262) 641-8653

www.cumberlandeurope.com
Email: cumberlandeurope@corpemail.com



ALL DATA SUBJECT TO CHANGE WITHOUT NOTICE

©2010 Cumberland

Bulletin CG2-185.1